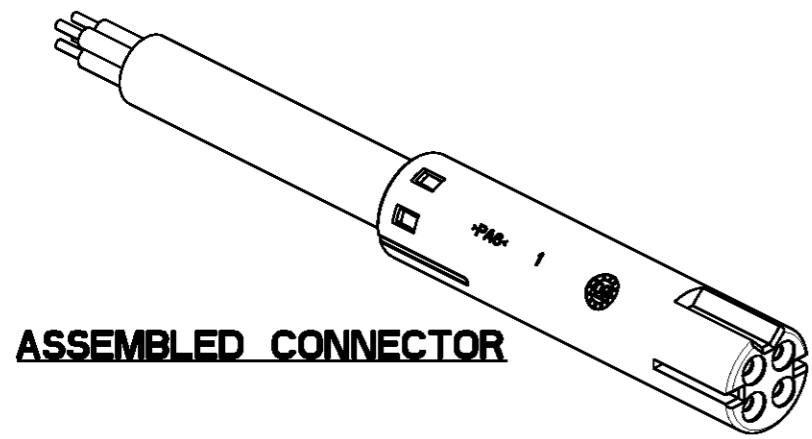


THIS DRAWING IS UNPUBLISHED. RELEASED FOR PUBLICATION 2008  
 © COPYRIGHT 2008 BY TYCO ELECTRONICS CORPORATION. ALL RIGHTS RESERVED.

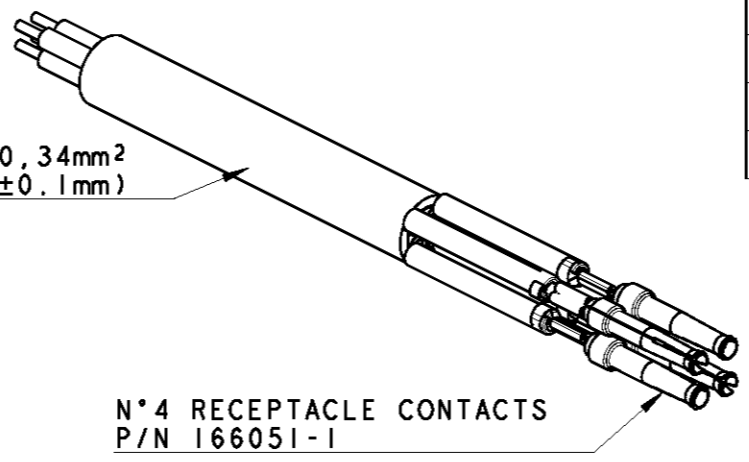
LOC	DIST	REVISIONS			
P	LTR	DESCRIPTION	DATE	DWN	APVD
		A	FIRST ISSUE	12SEP2008	D.C. G.T.
		A8	REVISED: DRAWING FOR EUROPE VERSIONS	08APR2010	D.C. G.T.
		A9	REVISED: CHANGED SALES CONDITIONS	30AUG2010	D.C. G.T.
		B	RELEASED FOR PRODUCTION	30NOV2010	D.C. G.T.

CABLE LiYY 4x0,34mm<sup>2</sup>  
 (INSULATION DIAMETER 4.9±0.1mm)

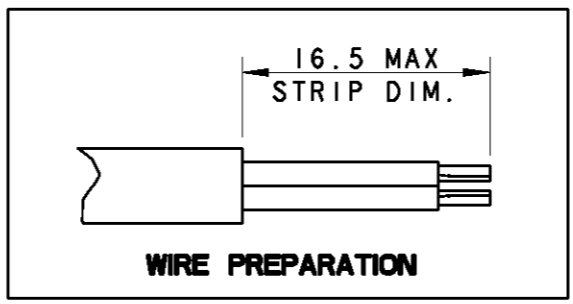


**ASSEMBLED CONNECTOR**

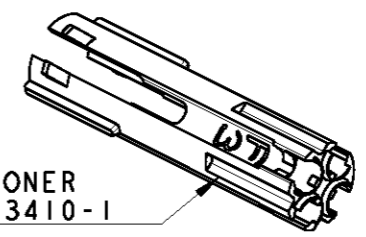
VOLTAGE: < 30V r.m.s. (42V PEAK)  
 MAXIMUM CURRENT: 2A PER WAY (FULL LOADED)



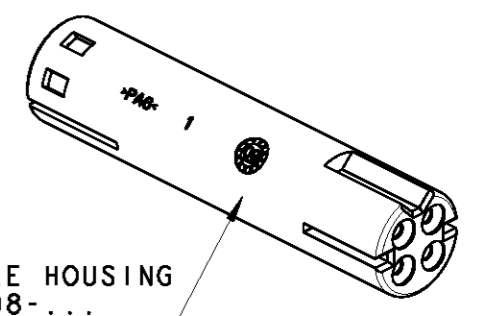
N°4 RECEPTACLE CONTACTS  
 P/N 166051-1



**WIRE PREPARATION**



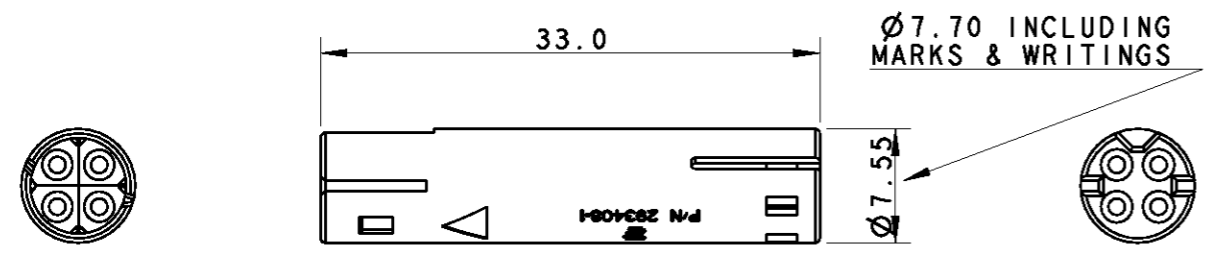
POSITIONER  
 P/N 293410-1



RECEPTACLE HOUSING  
 P/N 293408-...

THE PRESENTED PRODUCT / DESIGN WILL BE RELEASED FOR THE MANUFACTURING OF THE NECESSARY PRODUCTION TOOLS HEREBY. FURTHER CHANGES HAS TO BE PAID BY CUSTOMER.  
 DATE, SIGN OF THE CUSTOMER

RECEPTACLE HOUSING (N° 3 VERSIONS):  
 - P/N 293408-1 (REV. B) IN WHITE COLOUR  
 - P/N 293408-2 (REV. B) IN BLACK COLOUR  
 - P/N 293408-3 (REV. B) IN GRAY COLOUR

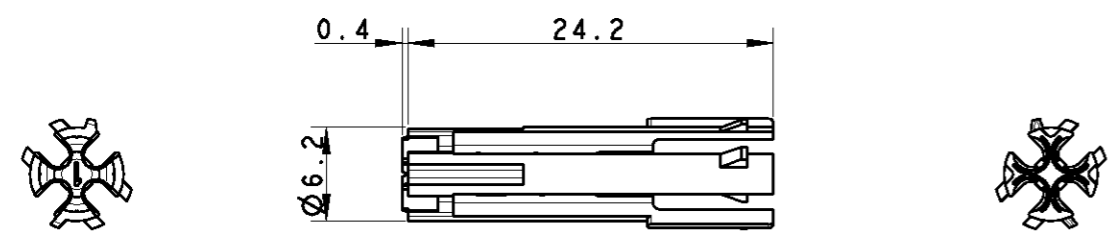


KEYING POLARIZATION FOR  
 P/N 293408-1 (WHITE VERSIONS)  
 AND FOR  
 P/N 293408-2 (BLACK VERSIONS)

KEYING POLARIZATION FOR  
 P/N 293408-3 (GRAY VERSIONS)

PACKAGING: N° 1500 PCS INTO CARTON BOX,  
 ACCORDING TO PACKAGING SPEC. 107-20289.

POSITIONER (N°1 VERSION):  
 - P/N 293410-1 (REV. B) IN BLACK COLOUR



REC. HOUSING P/N	POSITIONER P/N	PART NUMBER (KIT)	REV.
293408-3	293410-1	293411-3 (GRAY VERSION)	B
293408-2	293410-1	293411-2 (BLACK VERSION)	B
293408-1	293410-1	293411-1 (WHITE VERSION)	B

THIS DRAWING IS A CONTROLLED DOCUMENT FOR TYCO ELECTRONICS CORPORATION IT IS SUBJECT TO CHANGE AND THE CONTROLLING ENGINEERING ORGANIZATION SHOULD BE CONTACTED FOR THE LATEST REVISION.

DIMENSIONS:		TOLERANCES UNLESS OTHERWISE SPECIFIED:	
mm			
	0 PLC	±0.5	
	1 PLC	±0.3	
	2 PLC	±0.2	
	3 PLC	±	
	4 PLC	±	
	ANGLES	±	
MATERIAL	FINISH		
PLASTIC PARTS: PA, ACC. TO GLOW WIRE 750°C NO FLAME	-		

DWN	12SEP2008
CHK	D. CHIARELLI
APVD	G. TURCO
PRODUCT SPEC	108-20293
APPLICATION SPEC	114-20147
WEIGHT	-
CUSTOMER DRAWING	

**Tyco Electronics** Tyco Electronics AMP Italia S.r.l.  
 C.so F.lli Cervi, 15 - Collegno (TO)

**4 POS. LOW VOLTAGE, FREE HANGING, FEMALE CONNECTOR FOR EUROPE MARKET**

SIZE	CAGE CODE	DRAWING NO	RESTRICTED TO
A	00779	C-293411	-

SCALE 2:1 SHEET 1 OF 1 REV B